



**VG295250CA**  
**200 series gas cooktop**  
**Width 36" (90 cm)**  
**Natural gas.**  
**Up to 59,700 BTU (17.5 kW) on 5 burners**

Control panel for comfortable and secure operation  
Mechanical power level regulation for 9 power levels, with exact setting and reproduction of flame size  
Multi-ring burner of solid, heat-resistant brass as used in professional kitchen  
Solid smooth-surface cast-iron pan support  
Up to 59700 BTU (17.5 kW) on 5 burners

**Cooking zones**  
1 multi-ring wok burner 1,000 - 18,800 BTU (300 W – 5500 W), suitable for pots up to max. ø 12 5/8".  
2 two-ring high output burners 600 - 13,600 BTU (170 W – 4000 W), suitable for pots up to max. ø 11".  
2 two-ring standard burners 600 - 6,800 BTU (170 W – 2000 W), suitable for pots up to max. ø 9 1/2".

**Operation**  
Control knobs with illuminated ring.  
Integrated control panel.  
One-handed operation.  
Electric ignition.

**Features**  
Three-part cast iron pan support with flat, continuous pot surface.  
Brass burner rings.

**Safety**  
Thermoelectric safety pilot.  
Residual heat indicator.  
Operation indicator.

**Planning notes**  
No intermediate shelf required.  
Appliance can be snapped into the countertop from above.  
The rear panel must consist of a non-flammable material. Wall trims must be resistant to heat.  
Installation in a 36" (90 cm) wide base cabinet is required.  
Above countertop minimum clearance of at least 11 13/16" from adjacent heat-sensitive furniture or contact surfaces must be observed or thermal insulation must be installed.  
Minimum distance between gas cooktop(s) with more than 37,533 BTU (11kW) and ventilation hood must be 30" (76cm).  
Appliance weight: approx. 29 kg.

**Rating**  
Total rating: 59700 BTU (17.5 KW).  
Total Amps: 1 A. 120 V / 60 Hz  
Connecting cable 59 1/16" (150 cm) with plug.

## Product Features

**Product name / series name**  
gas hob w integrated controls

**Construction type**  
Built-in

**Energy source**  
Gas

**Total number of cooktop burners**  
5

**Required cutout size (HxWxD)**  
106 x 885 x 492

**Width of the appliance**  
914

**Dimensions**  
106 x 914 x 510

**Product packaging dimensions (HxWxD)**  
290 x 700 x 1010

**Net weight**  
28.879

**Gross weight**  
31.2

**Residual heat indicator**  
Separate

**Location of control panel**  
Cooktop front

**Basic surface material**  
brushed stainless steel

**Color of surface**  
Stainless steel

**Color of frame**  
Stainless steel

**Approval certificates**  
CSA, CSA, CSA

**Power cord length**  
150

**Watts**  
10

**Gas connection rating**  
17500

**Fuse protection**  
15

**Volts**  
110-120

**Frequency**  
60

## Consumption and connection features

2021-12-10  
Page 1

## Color Variants

**VG295250CA**  
**Width 36" (90 cm)**  
**Natural gas.**

## Included accessories

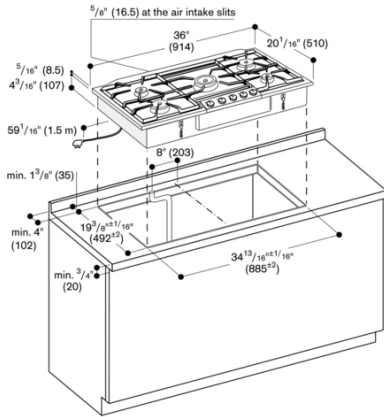
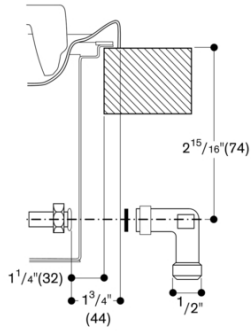
1 x WOK attachment ring.

## Optional accessories

**WP400001**  
**Wok pan made of multiple-layer material**

VG295250CA  
200 series gas cooktop  
Width 36" (90 cm)  
Natural gas.  
Up to 59,700 BTU (17.5 kW) on 5  
burners  
2021-12-10  
Page 2

Gas connection



Minimum distance from the appliance cut-out to the side wall 11 3/8 (290 mm).